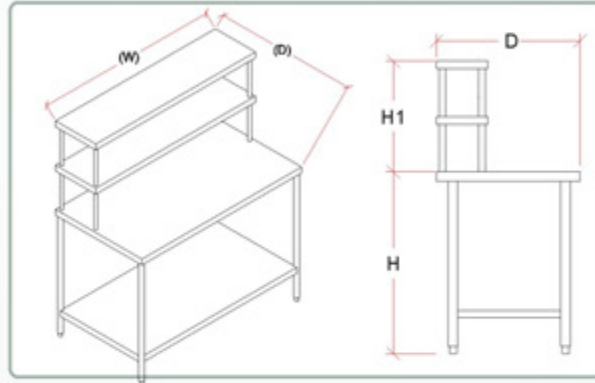


Work Table Series



Work Table c/w Up & Bottom Shelf

Model	Dimension (mm)			Upper Shelf (H1)
	Width (W)	Depth (D)	Height (H)	
Model 42	940	750	850	270
Model 45	1100	750	850	-

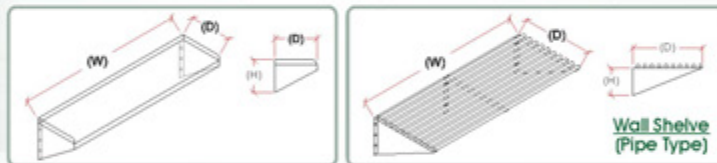


Stainless Steel Fabrication



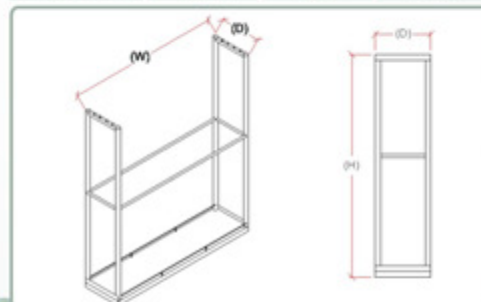
Wall Shelf

Model	Dimension (mm)		
	Width (W)	Depth (D)	Height (H)
Standard	1200	300	235
Customize	W	D	235



Overhead Shelf

Model	Dimension (mm)		
	Width (W)	Depth (D)	Height (H)
1-Tier Shelf	1120	300	1000
2-Tier Shelf	1800	300	1000



ES EPSONER F&B Equipment S/B

47-1, Jln. 10/91, Tmn. Shamelin Perkasa, 56100 Cheras, Kuala Lumpur.

Tel: 03-9200 7727 Fax: 03-9200 4922

Email: epsoner@tm.net.my <http://www.epsoner.com>

Offer Price are available for Business / Corporate purchase

All contents are subject to change without priority notice. All trademarks are the property of their respective owners.