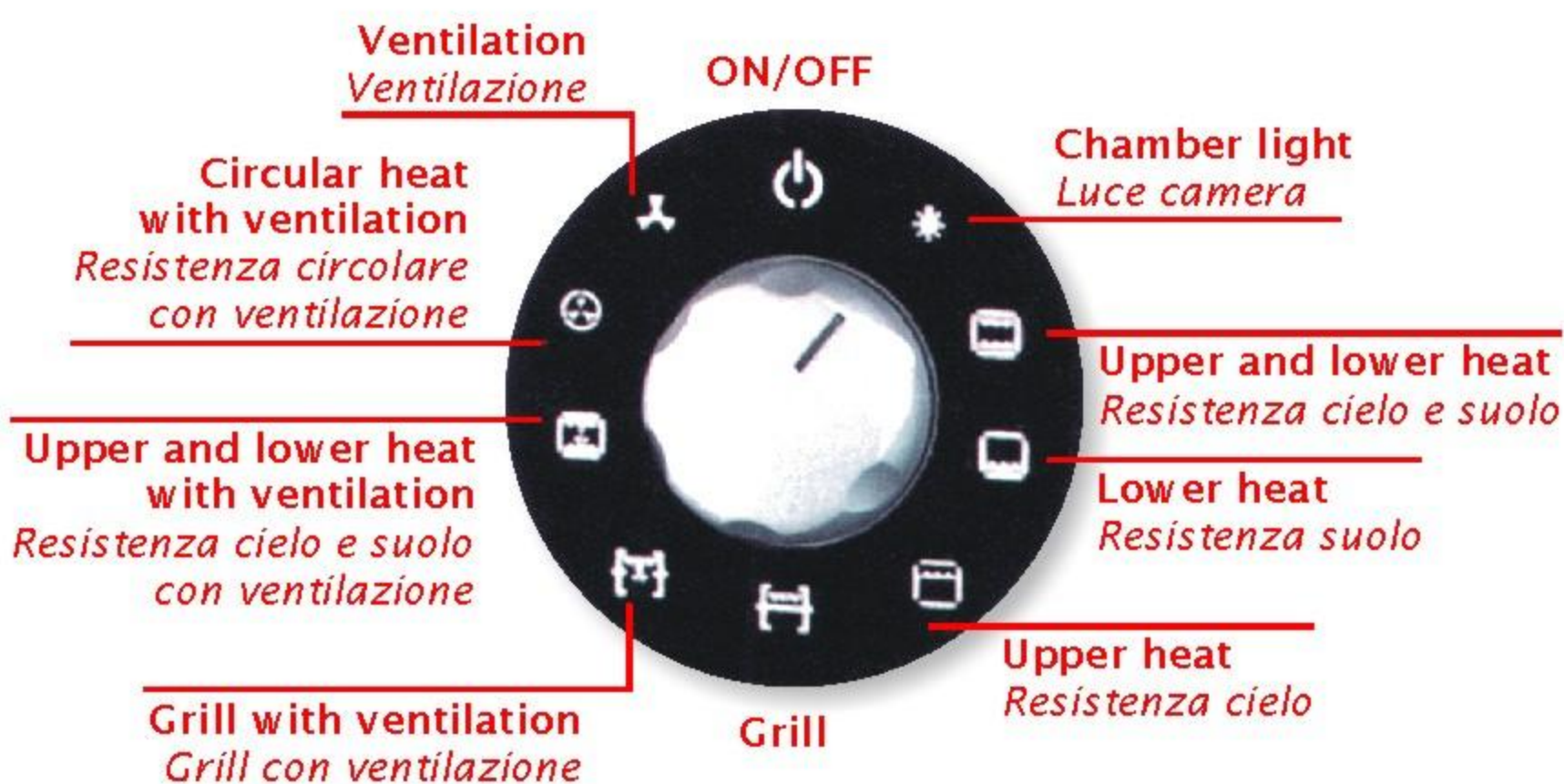
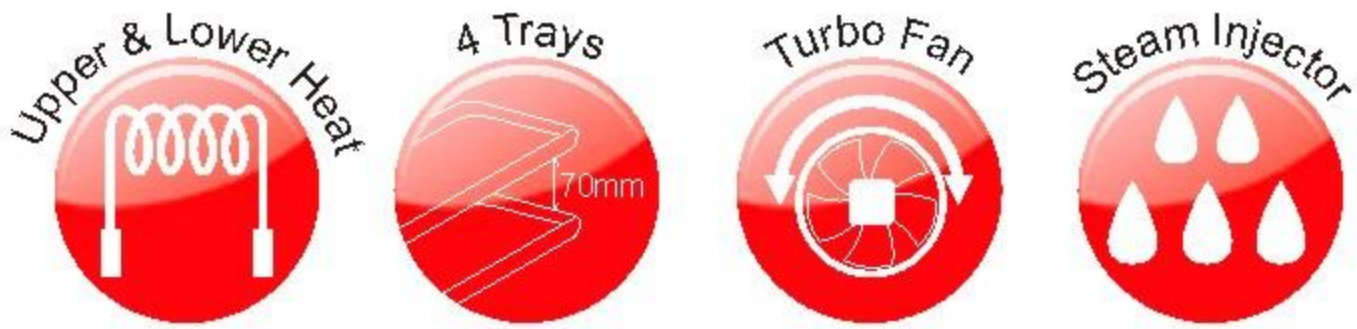


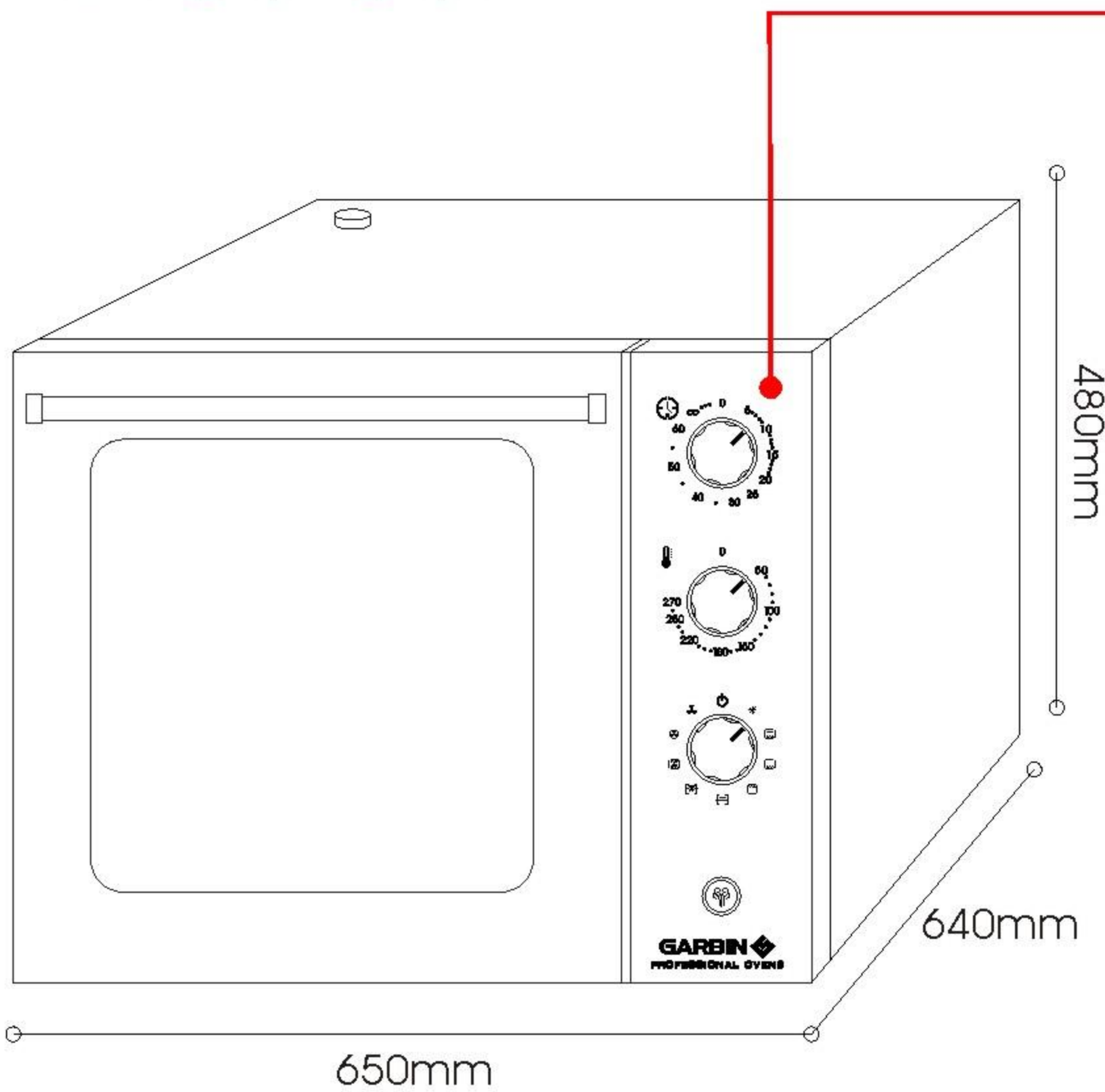
Electric Multifunction Convection Oven

23GM UMI

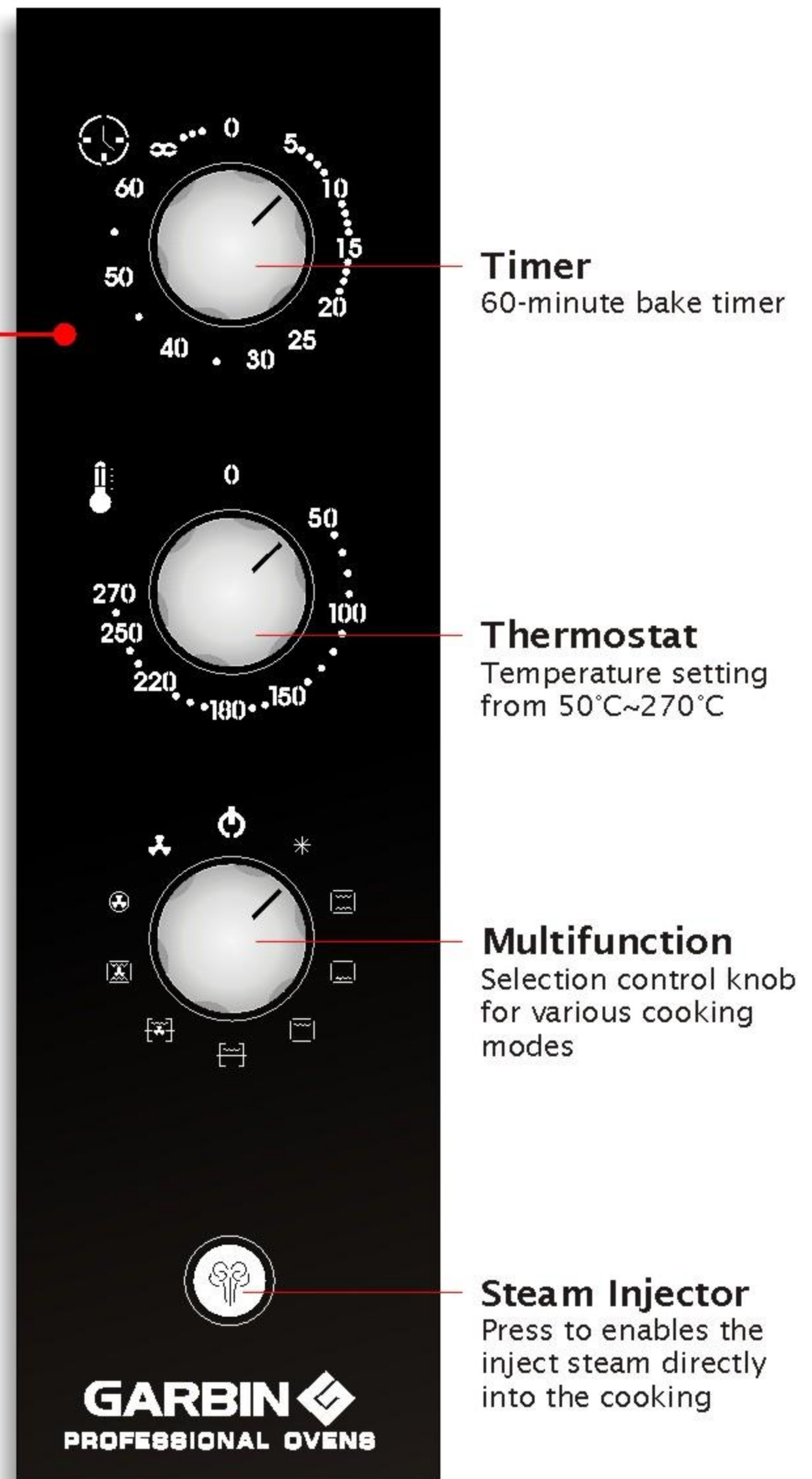


Electric Multifunction Convection Oven

23GM UMI



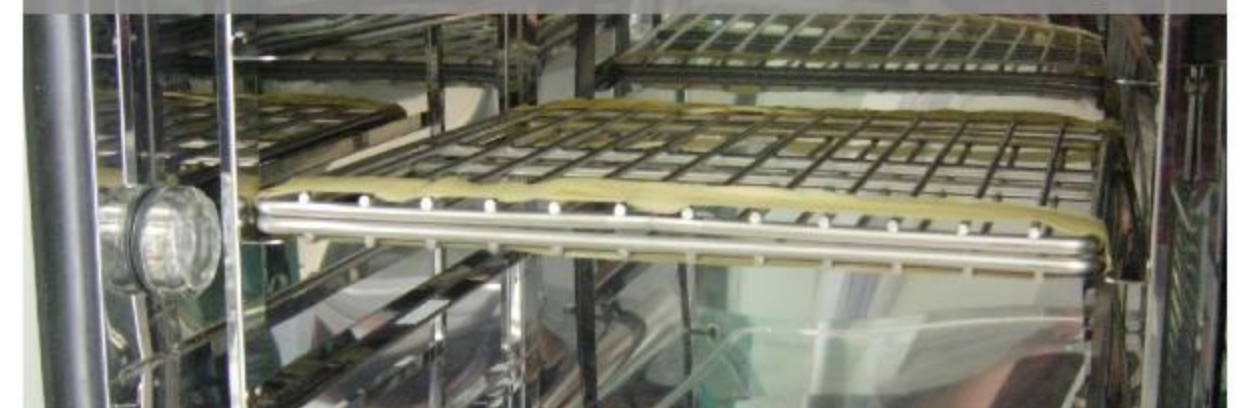
Control Panel



SPECIFICATION

Features	Turbofan Convection, Steam Injector, Top/Bottom Bake & Grill System
Equipped	2 Grids, 2 Baking Tray 2/3GN
Distance between trays	70mm
Power / Voltage	3000W 240V/1PH/50Hz
External Dimensions	650(W) x 640(D) x 480(H)
Internal Dimensions	390(W) x 535(D) x 360(H)
Weight	30 kg

Stainless-steel chamber with standard interior light.



Downward double insulated glass door.



Es EPSONER
F&B Equipment Sdn Bhd

47-1, Jln. 10/91, Tmn. Shamelin Perkasa, 56100 Cheras, Kuala Lumpur.

Tel: 03-9200 7727 Fax: 03-9200 4922

Email: epsoner@tm.net.my <http://www.epsoner.com>

Nearest Distributor:-

Professional
Power Saver-Turbo-Baking System

Contact us Today!



Offer Price are available for Business / Corporate purchase

All contents are subject to change without priority notice. All trademarks are the property of their respective owners.