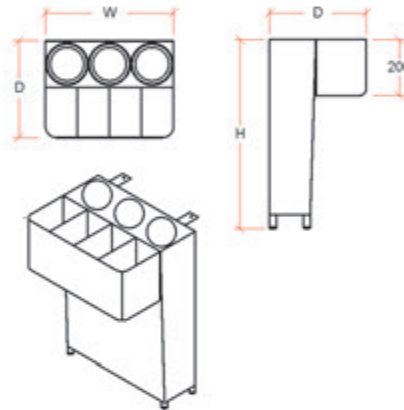


Cold Drink Dispenser MODEL



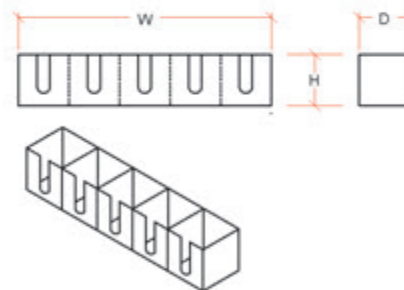
MODEL	Dimension(W) x (D) x (H)	Capacity	Bowl	Net Weight
Corolla-1s	230 x 430 x 635 mm	12 Litre	1	32kg
Corolla-2s	430 x 430 x 635 mm	24 Litre	2	31.5kg
Corolla-3s	630 x 430 x 635 mm	36 Litre	3	39.5kg
Power Source	220-240V / 1 Phase / 50Hz			
Temperature	+7°C ~ 10°C			

S/Steel Cup Dispenser Holder Counter MODEL



Model	Dimension (mm)		
	Width (W)	Depth (D)	Height (H)
Model 03	457	165	675

S/Steel Cup Lid Dispenser MODEL



Model	Dimension (mm)		
	Width (W)	Depth (D)	Height (H)
Model 78	490	100	100

Counter Area



47-1, Jln. 10/91, Tmn. Shamelin Perkasa, 56100 Cheras, Kuala Lumpur.
Tel: 03-9200 7727 Fax: 03-9200 4922
Email: epsoner@tm.net.my http.: www.epsoner.com

Nearest Distributor:-

**Contact us
Today!**

Offer Price are available for Business / Corporate purchase

All contents are subject to change without priority notice. All trademarks are the property of their respective owners.