



# Scotsman®

# MV450

Vertical  
Dice



MV 300

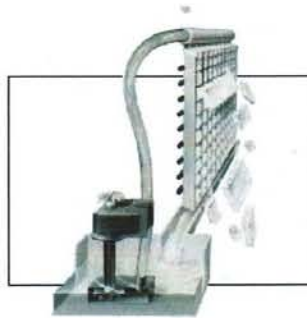
MV 450

MV 600

MV 1000



MV 450 with B 393



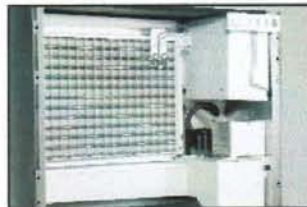
SUPER DICE CUBE



SS AISI 304



HALF SUPER DICE CUBE



Modular  
Super-Dice  
Cuber  
Ice Machine

Machine  
Modulaire  
à Glaçons  
Super Dice



Kombi  
Super-Dice  
Würfeis-  
bereiter

Màquina  
Automàtica  
Fabricadora  
de Hielo  
Super Dice



Fabbricatore  
di Ghiaccio  
Modulare  
in Cubetti  
Super Dice

|            | [kg] [lbs] N° | [kg] [lbs] N° | [v/Hz/ph]    | [HxWxD mm]  | [HxWxD inches]          | R       |
|------------|---------------|---------------|--------------|-------------|-------------------------|---------|
| MV 450 AS  | 215 475 15350 | 150 330 11500 | 220-240/50/1 | 575x760x620 | 22 5/8"x29 7/8"x24 3/8" | R 404 A |
| MV 450 WS  | 200 440 14200 | 150 330 11500 | 220-240/50/1 | 575x760x620 | 22 5/8"x29 7/8"x24 3/8" | R 404 A |
| MVH 450 AS | 215 475 30800 | 150 330 23000 | 220-240/50/1 | 575x760x620 | 22 5/8"x29 7/8"x24 3/8" | R 404 A |
| MVH 450 WS | 200 440 28500 | 150 330 23000 | 220-240/50/1 | 575x760x620 | 22 5/8"x29 7/8"x24 3/8" | R 404 A |

## 2

Years Warranty  
Ans de Garantie  
Jahre Garantie  
Años de Garantía  
Anni di Garanzia

Subject to certain limitations and exclusions  
Assujettie aux limites et exclusions prescrites  
Abhängig von Bestimmten Einschränkungen und Ausnahmen  
Sujeta a algunas limitaciones y exclusiones  
Soggetta ad alcune limitazioni ed esclusioni

CE

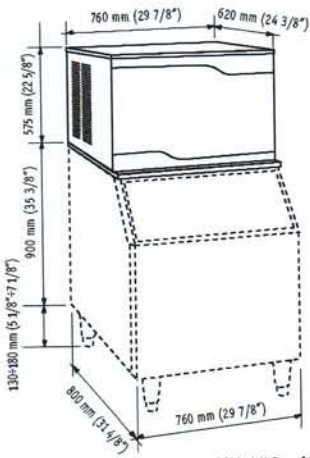
This product qualifies for the following listings:



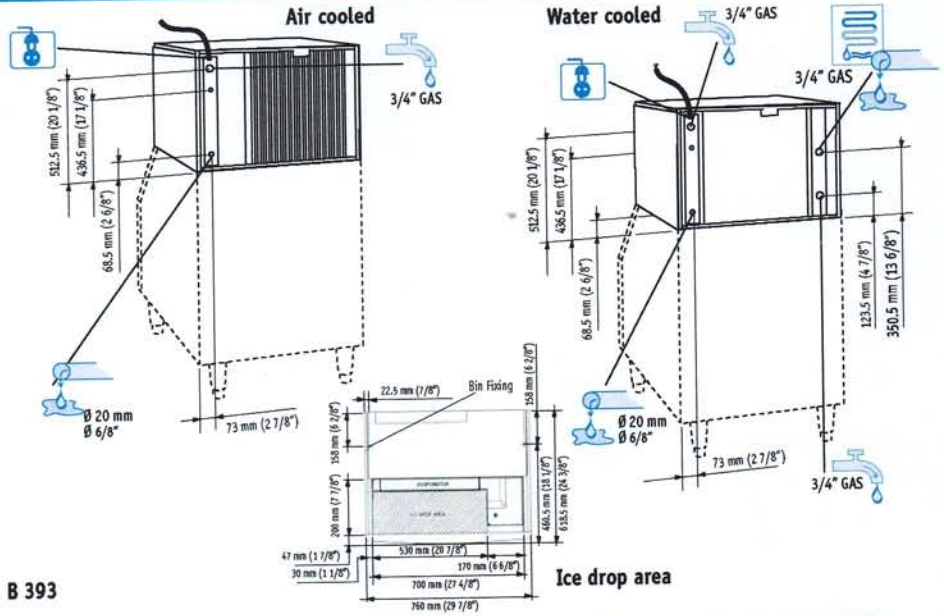
Models and specifications are subject to change without notice - Les modèles et les caractéristiques des appareils peuvent être changés sans préavis - Wir behalten das Recht vor jederzeit Änderungen der Modelle und der technischen Angaben vorzunehmen. Los modelos y las características pueden ser modificados en cualquier momento sin previo aviso - I modelli e le specifiche possono essere cambiate in qualunque momento senza preavviso

ADV - MV 450 - 7/2002

# MV450



MV 450 with B 393



|            | +C°<br>-C° | [Btu/h] [W] | [Ømm <sup>2</sup> ] | [W]  | FUSE | [kWh] | [l/h] | 32°C<br>90°F | 21°C<br>70°F | [kg] | [lbs] | [kg] | [lbs] |
|------------|------------|-------------|---------------------|------|------|-------|-------|--------------|--------------|------|-------|------|-------|
| MV 450 AS  |            | 8900 2600   | 3x1.5               | 1000 | 16 A | 24    | 16    | 4.2          |              | 70   | 154   | 85   | 187   |
| MV 450 WS  |            | 8900 2600   | 3x1.5               | 900  | 16 A | 21.6  | 100   | 26           |              | 69   | 152   | 84   | 185   |
| MVH 450 AS |            | 8900 2600   | 3x1.5               | 1000 | 16 A | 24    | 16    | 4.2          |              | 70   | 154   | 85   | 187   |
| MVH 450 WS |            | 8900 2600   | 3x1.5               | 900  | 16 A | 21.6  | 100   | 26           |              | 69   | 152   | 84   | 185   |

## MV 450 AIR

## MV 450 WATER

| °F  | 50° | 60° | 70° | 90° |     |
|-----|-----|-----|-----|-----|-----|
| 10° | 215 | 207 | 195 | 175 | kg  |
| 50° | 475 | 456 | 430 | 386 | lbs |
| 21° | 200 | 195 | 186 | 165 | kg  |
| 70° | 452 | 440 | 410 | 364 | lbs |
| 32° | 152 | 148 | 146 | 132 | kg  |
| 90° | 335 | 326 | 322 | 291 | lbs |
| 38° | 132 | 128 | 125 | 118 | kg  |
| 100 | 291 | 282 | 276 | 260 | lbs |

| °F  | 50° | 60° | 70° | 90° |     |
|-----|-----|-----|-----|-----|-----|
| 10° | 200 | 197 | 187 | 167 | kg  |
| 50° | 440 | 434 | 412 | 368 | lbs |
| 21° | 197 | 192 | 182 | 163 | kg  |
| 70° | 434 | 423 | 401 | 360 | lbs |
| 32° | 180 | 175 | 165 | 153 | kg  |
| 90° | 397 | 386 | 364 | 337 | lbs |
| 38° | 170 | 165 | 159 | 146 | kg  |
| 100 | 375 | 364 | 350 | 322 | lbs |



| Minimum         |  | Maximum         |
|-----------------|--|-----------------|
| 10°C (50°F)     |  | 40°C (103°F)    |
| 5°C (41°F)      |  | 35°C (95°F)     |
| -10%            |  | +10%            |
| 1 BAR<br>14 psi |  | 5 BAR<br>70 psi |