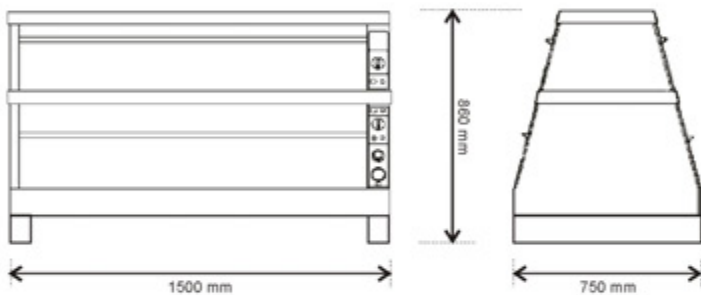


HOT DISPLAY SHOWCASE



HCW5 Hot/Cold Warmer

- * Two-tier display counter warmer.
- * Flip-up pass-through doors
- * Lower-tier moist heat operation.
- * With humidity convection system.

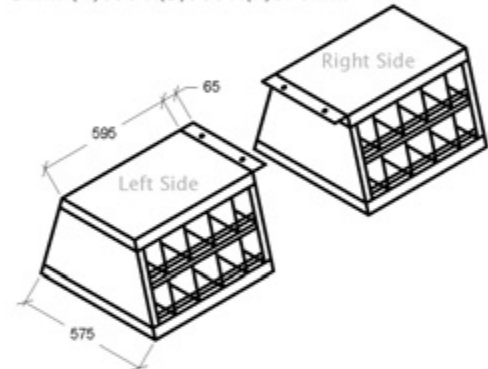


Specification

Model	HCW5
Dimension	(W)1500 x(D)750 x(H)860mm
Power source	3.5kw 220V~240V 1Phase 50Hz
Net Weight	112kg
Capacity	Full size sheet pans, 18"x26" (457 x660mm)
Lower Tier	3 sheet pans lengthwise
Upper Tier	2 sheet pans crosswise

Compartment S/Steel L/R Add On Accessory

Dim.: (W)595 x(D)580 x(H)370mm



ES EPSONER F&B Equipment S/B

47-1, Jln. 10/91, Tmn. Shamelin Perkasa, 56100 Cheras, Kuala Lumpur.

Tel: 03-9200 7727 Fax: 03-9200 4922

Email: epsoner@tm.net.my <http://www.epsoner.com>

Nearest Distributor:-

**Contact us
Today!**

Offer Price are available for Business / Corporate purchase

All contents are subject to change without priority notice. All trademarks are the property of their respective owners.